

COMPATIBLE CRANES



— SINCE 1962 —

FARMI FOREST

PIONEER IN SMART FORESTRY



JMS

Agri & Forestry Machinery

Corlismore, Ballinagh, Co. Cavan

087 777 0361 / 087 631 0653

www.jmstreeservices.ie



— SINCE 1962 —

FARMI FOREST

PIONEER IN SMART FORESTRY

BALANCED SOLUTION WITH EXCELLENT OPERABILITY

Our efficient wood cranes have been designed for demanding logging activities, but they also suit for general agricultural use. Our crane range is sure to provide customers with models optimal for their needs. Farmi Forest's wood cranes have good lifting capacity, reach far and wide, and they are extremely durable – the wood cranes have long service life. We also offer a wide selection of accessories for the entire collection. The cranes are typically installed on a trailer drawbar, which allows the use of the entire crane range and ensures optimal operating radius. In addition to this, cranes can also be attached



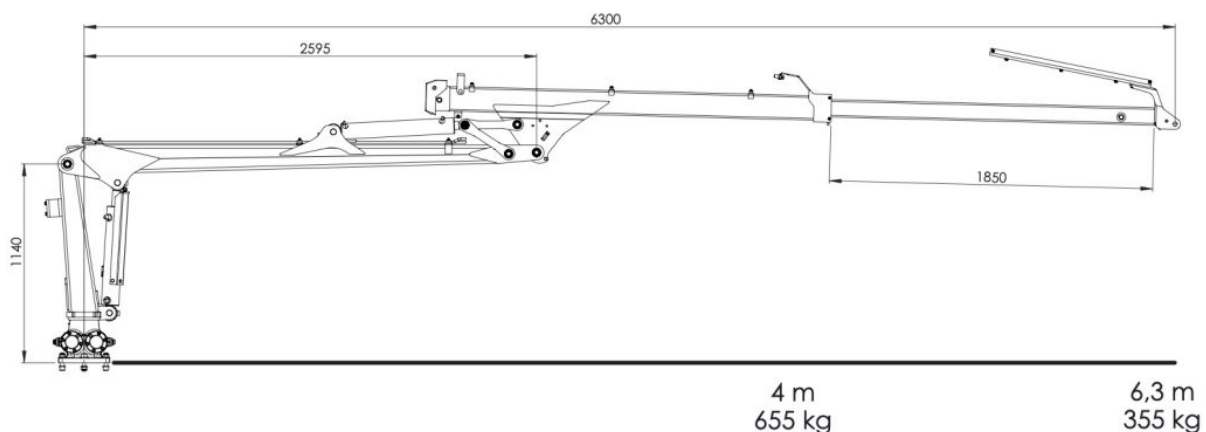
CR36

CR36 forest crane is small, but helpful crane for farms or home use. Perfect companion for firewood collection and roadside cleaning. Protection of the lifting cylinder belongs to the crane as standard. CR36 forest crane has a reach of 6.3 m, a gross lifting torque of 33 kNm and a turning moment of 9 kNm. The lifting force is at 4 m / 655 kg and at maximum reach 6,3 m / 355 kg. The booms are made of 85% high strength Strenx steel. They have a robust die cast gear housing and the oil drain cap makes maintenance easy. The crane has a very low design, which when combined with a Farmi trailer or woodchipper, enables you to maintain low centre of gravity and balanced operation for the whole machine solution. The CR36 is supplied with a 0.18m² grapple, with the flanged model rotator providing adequate protection to the grapple hoses. The grapple pins are made from specially manufactured steel.

Valves: On/Off, Mechanic Control, Hydraulic Pilot Control, Electric Pilot Control, Remote Control.



Technical Details	CR36
Outreach (m)	6.3
Gross Lifting Momentum (kNm)	33
Turning Momentum (kNm)	9
Weight (kg)	560
Lifting Capacity at 4m (kg)	655
Lifting Capacity Max. Extent (kg)	355
Extension Boom	Single
Boom Rotation (Degrees)	370
Turning Cylinders (pcs)	4
Rotator	CR305-F140, 3T



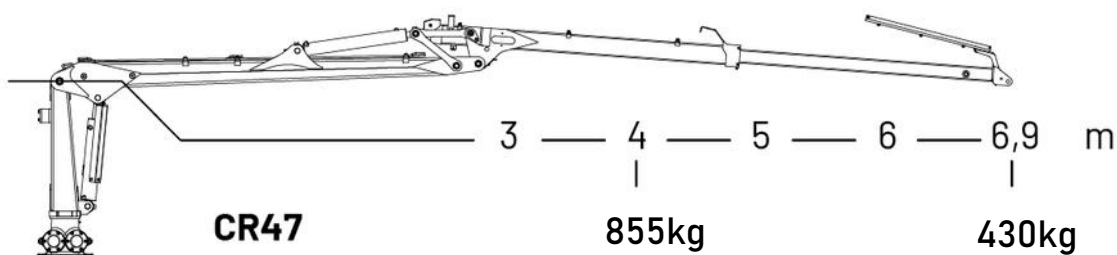
CR47

CR47 forest crane is a powerful, high-performance and lightweight loader. It has robust and powerful die cast gear housing. Thanks to the slewing mechanism's oil drain caps, the crane is easy to maintain. Protection of the lifting cylinder belongs to the crane as standard. CR47 forest crane has a reach of 6.9 m, a gross lifting torque of 46 kNm and a turning moment of 12 kNm. The lifting force is at 4 m / 855 kg and at maximum reach 6,9 m / 430 kg. The booms are made of 85% high strength Strenx steel. Like the CR36, the CR47 has a very low design, which when combined with a Farmi trailer or woodchipper, enables you to maintain low centre of gravity and balanced operation for the whole machine solution. The CR47 is supplied with a 0.18m² grapple, with the flanged model rotator providing adequate protection to the grapple hoses. The model is also available with a smaller 0.16m² grapple, or a larger 0.23m² grapple. The grapple pins are made from specially manufactured steel.

Valves: On/Off, Mechanic Control, Hydraulic Pilot Control, Electric Pilot Control, Remote Control.



Technical Details	CR47
Outreach (m)	6.9
Gross Lifting Momentum (kNm)	46
Turning Momentum (kNm)	12
Weight (kg)	630
Lifting Capacity at 4m (kg)	855
Lifting Capacity Max. Extent (kg)	430
Extension Boom	Single
Boom Rotation (Degrees)	370
Turning Cylinders (pcs)	4
Rotator	CR305-F140, 3T



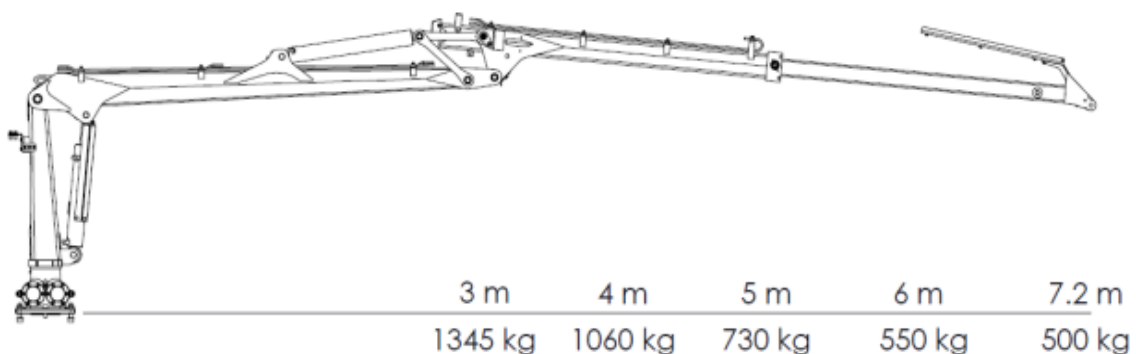
CR57

The CR57 is a new Farmi loader model. Loader has a max reach of 7.2 m, a gross lifting torque of 51 kNm and a turning force of 12 kNm. The CR57 forest crane has a lifting force of 1060 kg/ 4 m and 500 kg / 7,2 m at maximum reach. The booms are made of 85% high strength Strenx steel. The crane has a robust and powerful die cast gear house and the oil drain cap makes maintenance easy. The CR57 is supplied with a 0.18m² grapple, with the flanged model rotator providing adequate protection to the grapple hoses. The model is also available with a smaller 0.16m² grapple, or a larger 0.23m² grapple. The grapple pins are made from specially manufactured steel.

Valves: On/Off, Mechanic Control, Hydraulic Pilot Control, Electric Pilot Control, Remote Control.



Technical Details	CR57
Outreach (m)	7.2
Gross Lifting Momentum (kNm)	51
Turning Momentum (kNm)	12
Weight (kg)	920
Lifting Capacity at 4m (kg)	1060
Lifting Capacity Max. Extent (kg)	500
Extension Boom	Single
Boom Rotation (Degrees)	370
Turning Cylinders (pcs)	4
Rotator	CR400-F140, FT



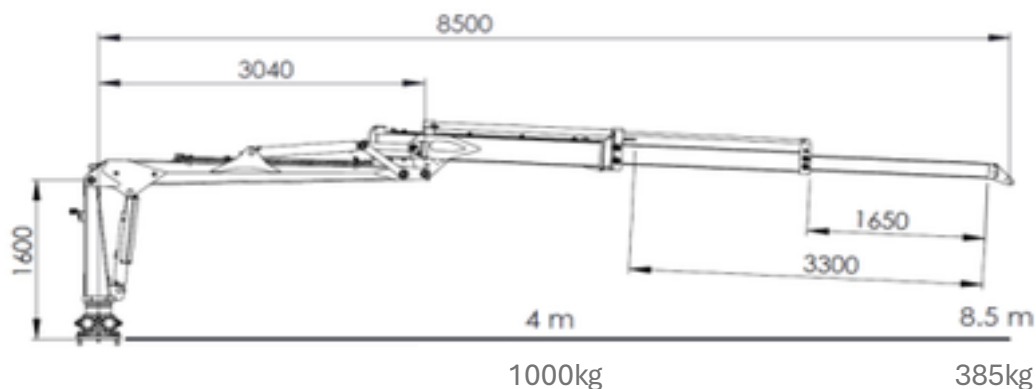
CR59

CR59 forest crane is long reach but light weight loader. It has robust and powerful die cast gear housing. Thanks to the slewing mechanism's oil drain caps, the crane is easy to maintain. Protection of the lifting cylinder belongs to the crane as standard. CR59 forest crane has a reach of 8,5 m, a gross lifting torque of 55 kNm and a turning moment of 12 kNm. The lifting force is at 4 m / 1000 kg and at maximum reach 8,5 m / 385 kg. The booms are made of 85% high strength Strenx steel. The CR59 is supplied with a 0.18m² grapple, with the flanged model rotator providing adequate protection to the grapple hoses. The model is also available with larger 0.23m² or 0.26m² grapples depending on customer requirements. The grapple pins are made from specially manufactured steel.

Valves: On/Off, Mechanic Control, Hydraulic Pilot Control, Electric Pilot Control, Remote Control.



Technical Details	CR59
Outreach (m)	8.5
Gross Lifting Momentum (kNm)	55
Turning Momentum (kNm)	19
Weight (kg)	1060
Lifting Capacity at 4m (kg)	1000
Lifting Capacity Max. Extent (kg)	385
Extension Boom	Double
Boom Rotation (Degrees)	380
Turning Cylinders (pcs)	4
Rotator	CR400-F140, FT



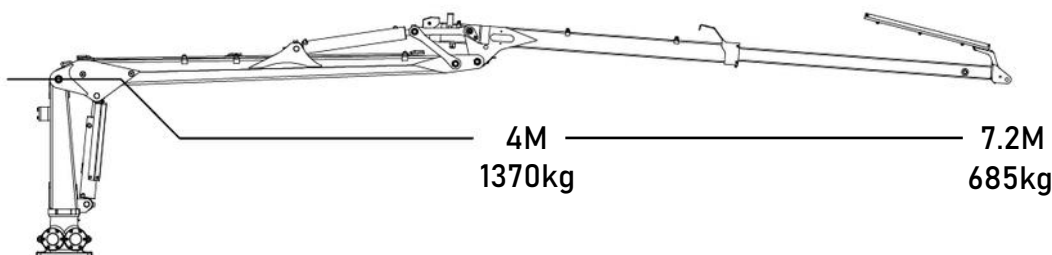
CR67

Farmi CR67 crane delivers power and performance. It has robust and powerful die cast gear housing. Thanks to the slewing mechanism's oil drain caps, the crane is easy to maintain. Protection of the lifting cylinder belongs to the crane as standard. CR67 forest crane has a reach of 7,2 m, a gross lifting torque of 67 kNm and a turning moment of 19 kNm. The lifting force is at 4 m / 1370 kg and at maximum reach 7,2 m / 685 kg. The booms are made of 85% high strength Strenx steel. The CR67 is supplied with a 0.18m² grapple, with the flanged model rotator providing adequate protection to the grapple hoses. The model is also available with larger 0.23m² or 0.26m² grapples depending on customer requirements. The grapple pins are made from specially manufactured steel.

Valves: On/Off, Mechanic Control, Hydraulic Pilot Control, Electric Pilot Control, Remote Control.



Technical Details	CR67
Outreach (m)	7.2
Gross Lifting Momentum (kNm)	67
Turning Momentum (kNm)	19
Weight (kg)	940
Lifting Capacity at 4m (kg)	1370
Lifting Capacity Max. Extent (kg)	685
Extension Boom	Single
Boom Rotation (Degrees)	380
Turning Cylinders (pcs)	4
Rotator	CR505



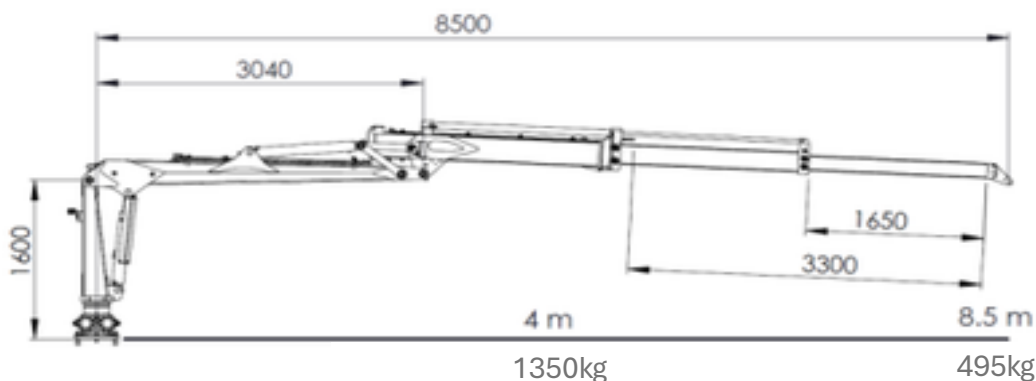
CR69

Famous and powerful Farmi beast with 8.5 m reach, 67 kNm gross lifting torque and 19 kNm turning force. Lifting force 4 m / 1350 kg, with a maximum reach of 8.5 m / 495 kg. A robust and powerful die cast gear house. The oil drain port makes maintenance easy. The crane's standard equipment also includes a lift cylinder cover. The hosing for the double extension is inside the extension boom. The booms are made of 85% high strength Strenx steel. The CR69 is supplied with a 0.18m² grapple, with the flanged model rotator providing adequate protection to the grapple hoses. The model is also available with larger 0.23m² or 0.26m² grapples depending on customer requirements. The grapple pins are made from specially manufactured steel.

Valves: On/Off, Mechanic Control, Hydraulic Pilot Control, Electric Pilot Control, Remote Control.



Technical Details	CR69
Outreach (m)	8.5
Gross Lifting Momentum (kNm)	67
Turning Momentum (kNm)	19
Weight (kg)	1060
Lifting Capacity at 4m (kg)	1350
Lifting Capacity Max. Extent (kg)	495
Extension Boom	Double
Boom Rotation (Degrees)	380
Turning Cylinders (pcs)	4
Rotator	CR505



CR89

The Farmi CR89 is a powerful crane with two extensions. Crane range is 9 m, gross lifting torque 75 kNm and turning force 19 kNm. It has robust and powerful die cast gear housing. Thanks to the slewing mechanism's oil drain caps, the crane is easy to maintain. Protection of the lifting cylinder belongs to the crane as standard. CR89 forest crane has a reach of 9 m, a gross lifting torque of 75 kNm and a turning moment of 19 kNm. The lifting force is at 4 m / 1380 kg and at maximum reach 9 m / 515 kg. The booms are made of 85% high strength Strenx steel. The CR69 is supplied with a 0.23m² grapple, with the flanged model rotator providing adequate protection to the grapple hoses. The model is also available with larger 0.26m² grapple depending on customer requirements. The grapple pins are made from specially manufactured steel.

Valves: On/Off, Mechanic Control, Hydraulic Pilot Control, Electric Pilot Control, Remote Control.



Technical Details	CR89
Outreach (m)	9
Gross Lifting Momentum (kNm)	75
Turning Momentum (kNm)	19
Weight (kg)	1210
Lifting Capacity at 4m (kg)	1380
Lifting Capacity Max. Extent (kg)	515
Extension Boom	Double
Boom Rotation (Degrees)	380
Turning Cylinders (pcs)	4
Rotator	CR600



ACCESSORIES & OPTIONS

VALVE OPTIONS FOR CRANES



Mechanic control valve, sticks with 2 electric functions

Simple, reliable control valve with mechanical levers. Grapple and extension with electric functions.



Hydraulic pilot control valve, sticks with 4 buttons

Soft crane control with joysticks, you lift only joysticks to cabin. Control valve fixed straight into crane. Four electric functions - grapple, extension and support legs. Four pre-hydraulic functions - swing, lifting, folding and rotator.



Electric pilot control valve, mini joysticks

Smooth and nice proportional crane control with mini joysticks. Mini joysticks fixed in cabin, there is only wire connector. Control valve fixed straight into crane.



Electric pilot control valve, remote control

Smooth and nice proportional crane control with remote control. Control valve fixed straight into side of lifting boom.

SUPPORT LEG OPTIONS FOR CRANES



Flap down legs



A-Legs with 3-point linkage

Easy to use. Does not need space from the side. Narrower structure between support legs. 3-point linkage as a standard. Only available for CR37 and CR47

ACCESSORIES FOR CRANES



Crane winch

Gives 40m extra reach for your crane. Easy and convenient to use with remote control. Electronic wireless scale available.



Crane scale

Wireless Crane Scale



— SINCE 1962 —

FARMI FOREST

PIONEER IN SMART FORESTRY



JMS

Agri & Forestry Machinery



— SINCE 1962 —

FARMI FOREST

PIONEER IN SMART FORESTRY



Corlismore, Ballinagh, Co. Cavan

087 777 0361 / 087 631 0653

www.jmstreeservices.ie

 PIONEERS IN SMART FORESTRY